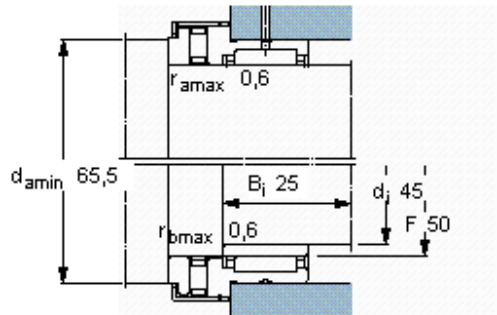
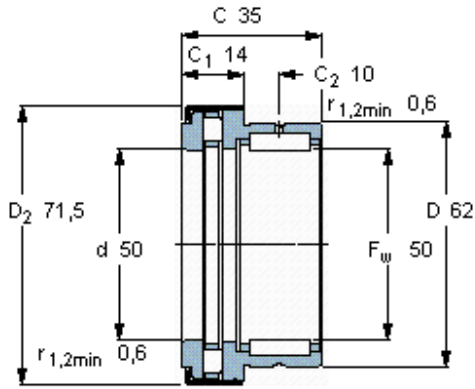


1_18, needle roller/full complement thrust ball bearings

Principal dimensions			Basic load ratings				Speed ratings		Limiting speed	Designation
F _w	D	C	radial dynamic C	static C ₀	axial dynamic C	static C ₀	Reference speed			
mm			kN				r/min		-	
50	62	35	38	78	47,5	166	2200	4300	NKXR 50 Z	



Appropriate inner ring

IR 45x50x25